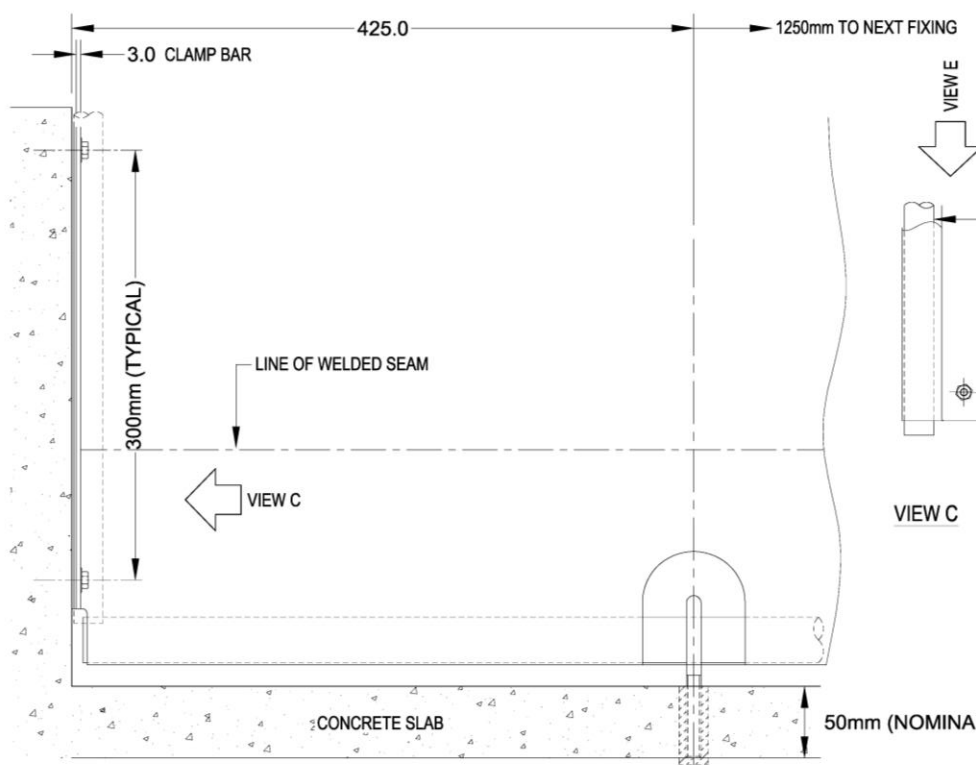
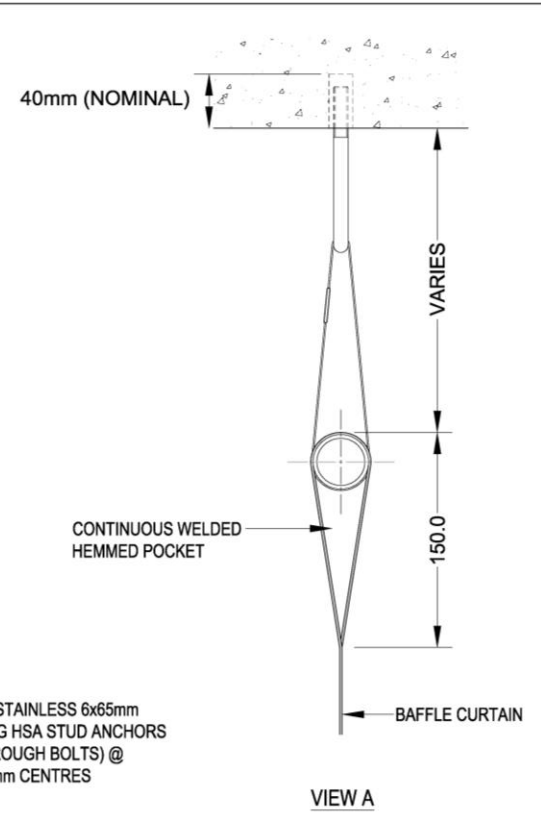


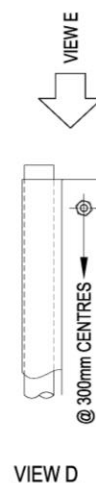
TYPICAL WALL END DETAIL



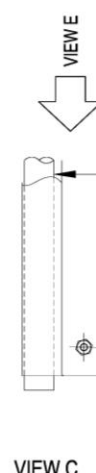
TYPICAL WALL END DETAIL



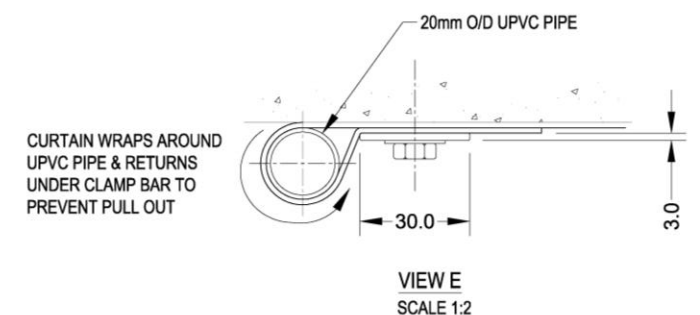
VIEW A



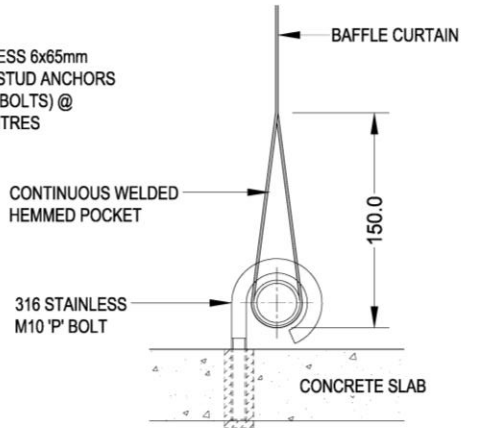
VIEW D



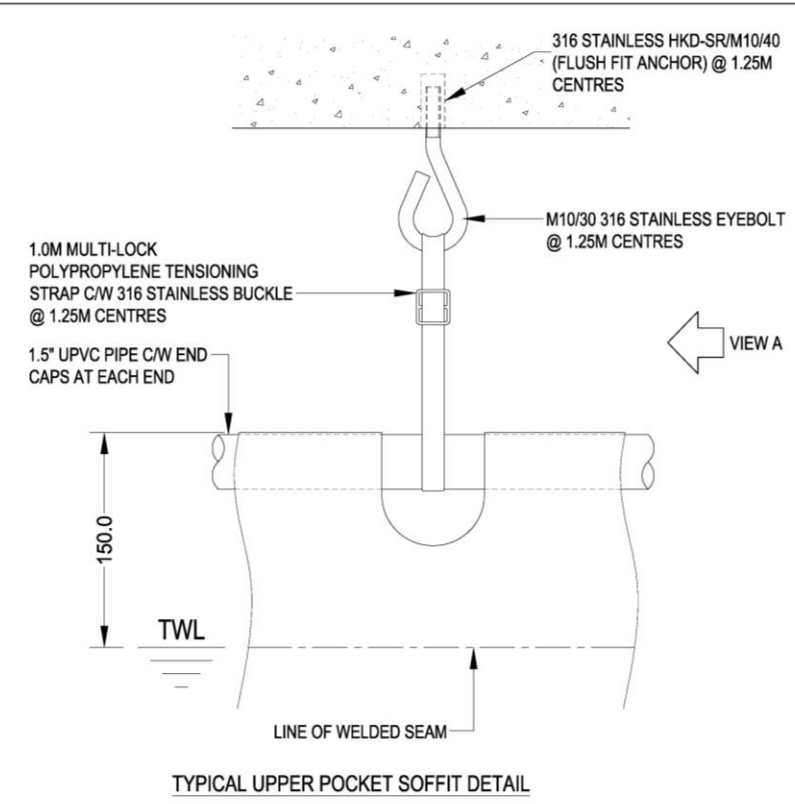
VIEW C



VIEW E
SCALE 1:2

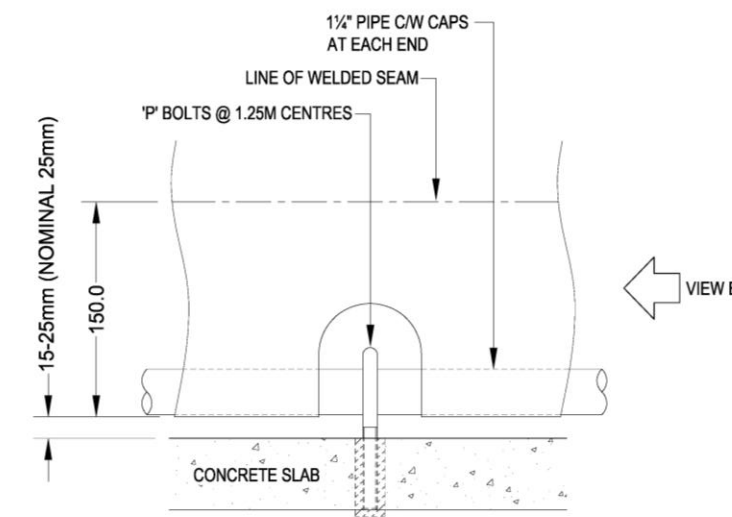


VIEW B



TYPICAL UPPER POCKET SOFFIT DETAIL

FLAGON GeoPAT 1.5mm DWI APPROVED
BAFFLE CURTAIN



TYPICAL LOWER POCKET DETAIL

- NOTES
1. All dimensions in millimetres and all levels in metres unless shown otherwise.
 2. DRAWING TO BE READ IN CONJUNCTION WITH TYPICAL DETAIL SHEET 02

THIS DRAWING IS ISSUED BY WATER-LINES SOLUTIONS. THE CONTENT THEREIN MUST NOT BE COPIED EITHER IN WHOLE OR IN PART OR DISCLOSED TO THIRD PARTIES UNLESS PRIOR WRITTEN AUTHORIZATION IS GIVEN BY WATER-LINES SOLUTIONS. PREVIOUS VERSIONS OF THIS DRAWING SHOULD BE STAMPED SUPERSEDED OR DESTROYED. DO NOT SCALE THIS DRAWING - IF IN DOUBT ASK.

MANUFACTURER:



Lilford Lodge Farm
Barnwell, Nr. Oundle
Northamptonshire
PE8 5SA

T: +44 (0)1832 27 27 25
F: +44 (0)1832 27 27 11
E: info@water-lines.co.uk
W: www.water-lines.co.uk

CLIENT:	
PROJECT:	
CONSULTANT:	
CONTRACTOR:	
SUPPLIER:	

TITLE:	TYPICAL SHOP FABRICATION DRAWING SHEET 01	
SCALE:	1:5 / 1:2 @ A1	MASTER SIZE A1
DRAWING NO.:	WL-DT-001	ISSUE 2